

Universal Wall Box

Installation Instructions

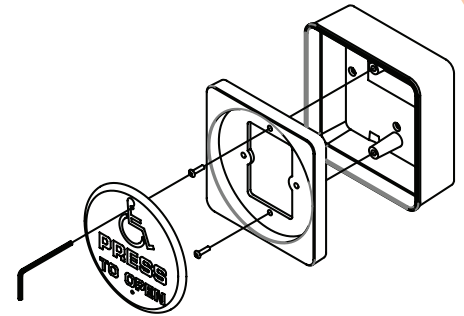


Surface Mount Installation

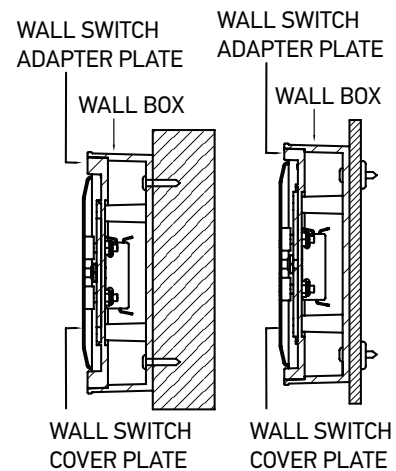
- 1** Determine wall switch mounting location based on wall construction, applicable standards and intended use. In high use and abuse areas, a solid mounting surface or additional reinforcement may be required behind the box.
- 2** Punch out holes in box in areas indicated on the front view drawing by the notation "mounting screw punch outs."
- 3** Determine stud location in mounting area. Drill holes in mounting surface and into mounting stud.
- 4** Insert appropriate fastener through box and into mounting surface and tighten securely. For mounting directly into a stud or solid wall, the recommended fastener is a #8-32 x 1" wood screw. For mounting into a hollow wall or surface, the recommended fastener is a #8-32 x 1" toggle bolt.
- 5** Complete wall switch assembly using instructions included with your wall switch.

NOTE: Larco's Labor Saver System can be used to affix mounting boxes to partitions and walls where mechanical fasteners cannot be used. Instructions for the Labor Saver System can be found in the Resource section of our website: www.Larco.com.

Observe all manufacturers' recommendations for safety and operation of their products. ANSI/BHMA standards that offer specific recommendations for each type and class of automatic door have been developed. To obtain a copy of the ANSI/BHMA standard that applies to the installation, visit www.buildershardware.com or www.ansi.org.

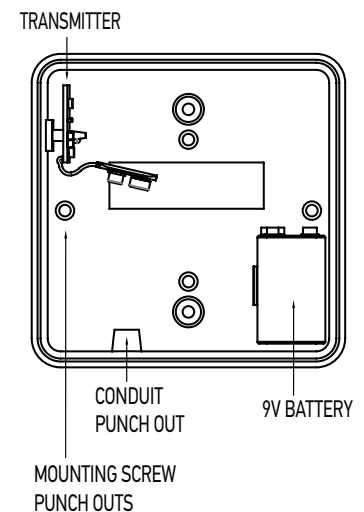


Universal Wall Box Mounting



Solid Wall Mounting

Hollow Wall Mounting



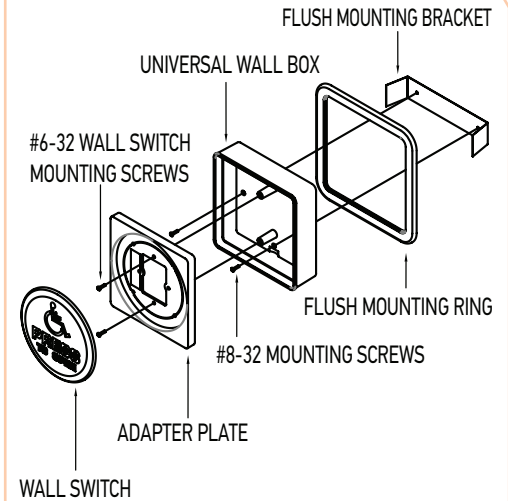
Front View

Universal Wall Box Installation Instructions

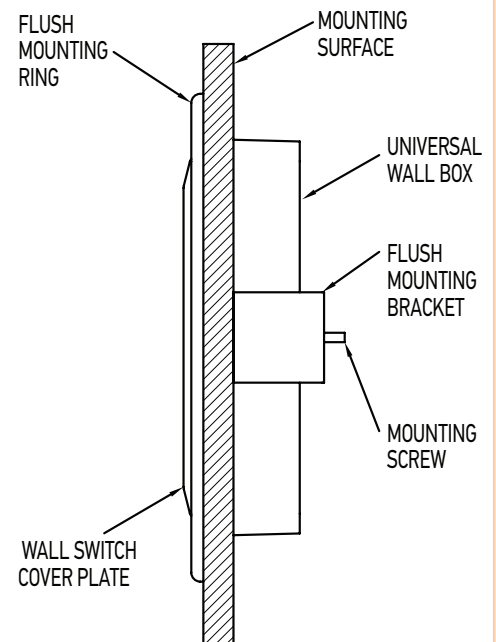


Flush Mount Installation

- 1** Determine wall switch mounting location based on wall construction, applicable standards and intended use. In high use and abuse areas, a solid mounting surface or additional reinforcement may be required behind the box.
- 2** Determine stud location in mounting area. Cut an access hole adjacent to stud for extra support. Access hole dimensions should be 6-3/4" square for a full sized (6") wall switch and 5-1/4" for a reduced size (4-1/4") wall switch. Trace around the box as a guide.
- 3** Punch out holes in box in areas indicated on the front view drawing by the notation "mounting screw punch outs" (see reverse side).
- 4** Slide the flush mounting ring over the mounting box.
- 5** Thread two #8-32 screws through the pilot holes and into the retaining bracket. Do not tighten screws completely.
- 6** Insert the mounting box and bracket into the access hole. The bracket is slightly larger than the access hole. Squeeze the sides of the bracket into the mounting box and gently force the bracket through the hole. Tighten both screws until the assembly is held tightly to the wall surface.
- 7** Complete wall switch assembly using instructions included with the wall switch.



Flush Mount Kit Assembly



Flush Mounting