

Jamb Switch Box

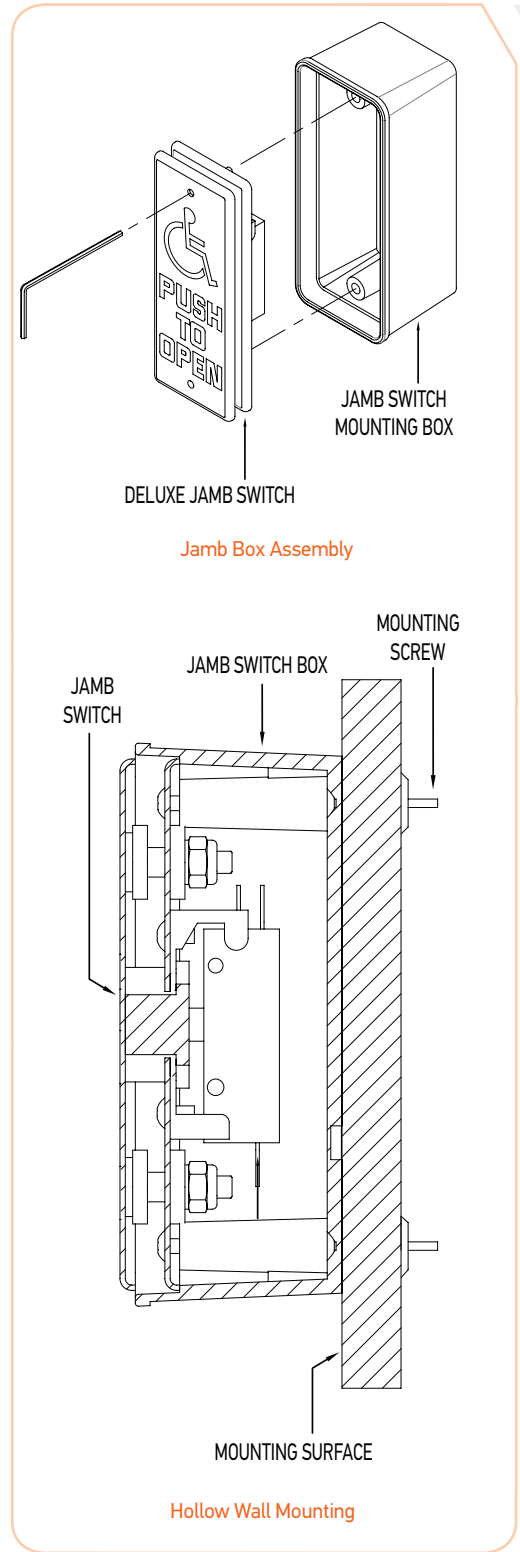
Installation Instructions



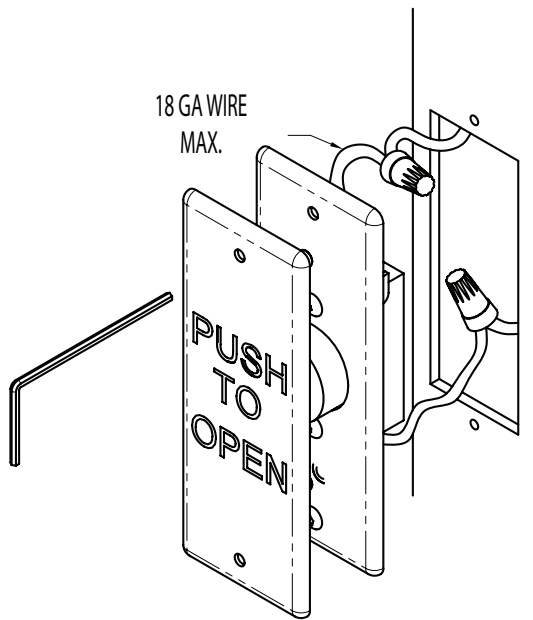
Directions

- 1 Determine switch mounting location based on wall or construction, applicable standards and intended use.
- 2 Punch out holes in the jamb box in the areas provided. Use caution and do not damage any electronics present in the box.
- 3 Drill holes in mounting surface using the mounting box as the template. In hardwired installations, drill a wiring access hole.
- 4 Insert the appropriate fastener through the box and into the mounting surface and tighten securely. Make sure the box is mounted flat, not twisted.
- 5 In hardwired installations, wire the jamb switch to the door controller using spade terminals to connect to the N.O. and COMMON contacts. A knockout area is provided for routing switch wires into the box. For radio-controlled installations, wire the jamb switch to the transmitter using the N.O. and COMMON contacts.
- 6 Use the enclosed wrench to tighten the #6-32 screws into the jamb box (as shown in the top drawing on right).
- 7 Test for proper operation.

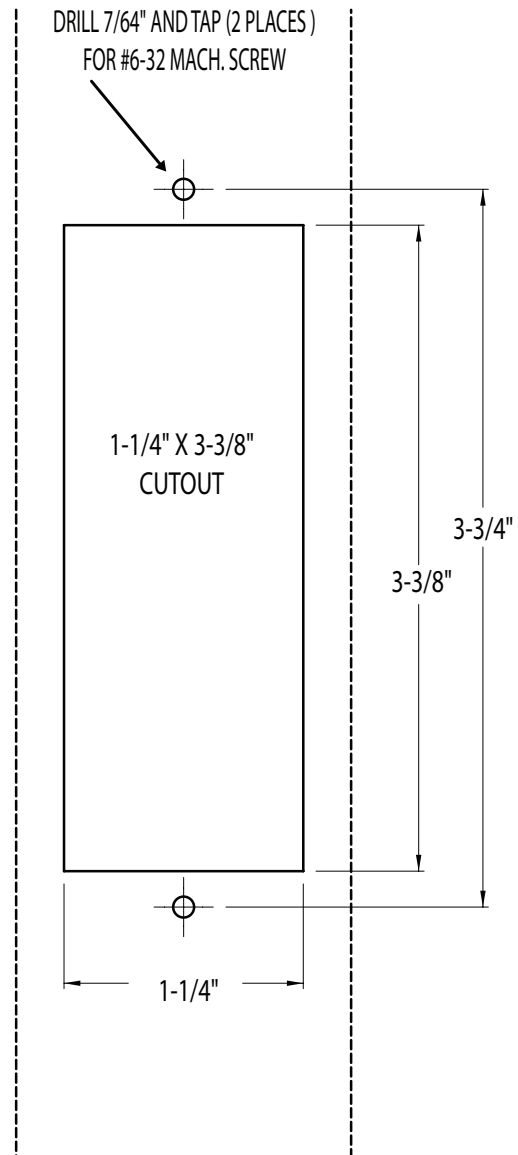
Observe all manufacturers' recommendations for safety and operation of their products. ANSI/BHMA standards that offer specific recommendations for each type and class of automatic door have been developed. To obtain a copy of the ANSI/BHMA standard that applies to the installation, visit www.buildershardware.com or www.ansi.org.



Jamb Switch Installation Instructions



TIGHTEN SCREWS THROUGH HOLES
IN COVER PLATE WITH
HEX KEY PROVIDED



FOLD ON DOTTED LINES
FOR 1-3/4" JAMB TEMPLATE