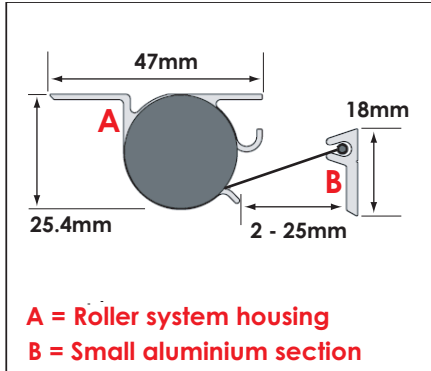
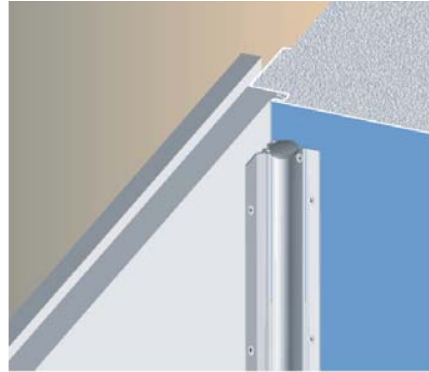


FP200 Finger Protection

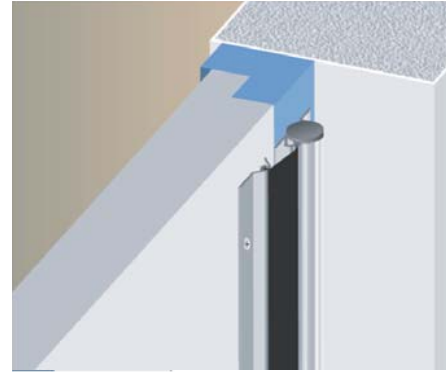
Fixing applications - typical UK applications overleaf



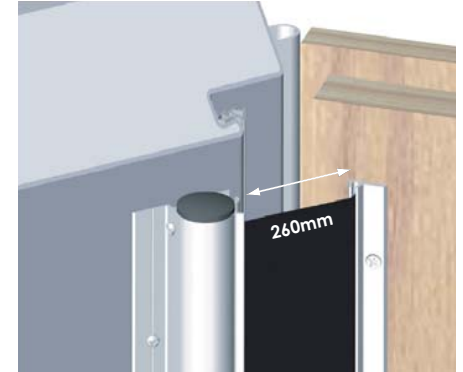
FP200 roller system dimensions



FP200 roller system mounted on recessed door and frame



FP200 roller system mounted on flush door and frame



FP200 roller system maximum opening 260mm

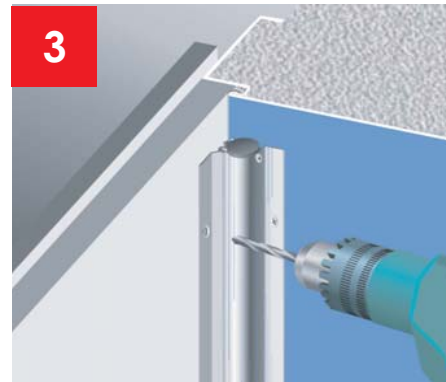
Installation instructions



Drill pilot holes for **A** roller system housing



Fix with screws provided

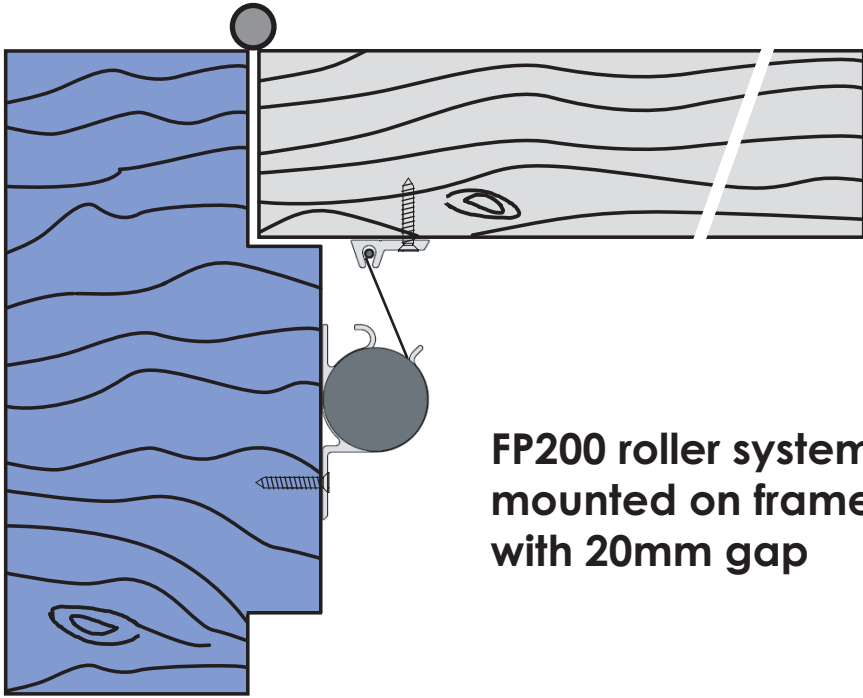


Drill pilot holes for **B** small aluminium section

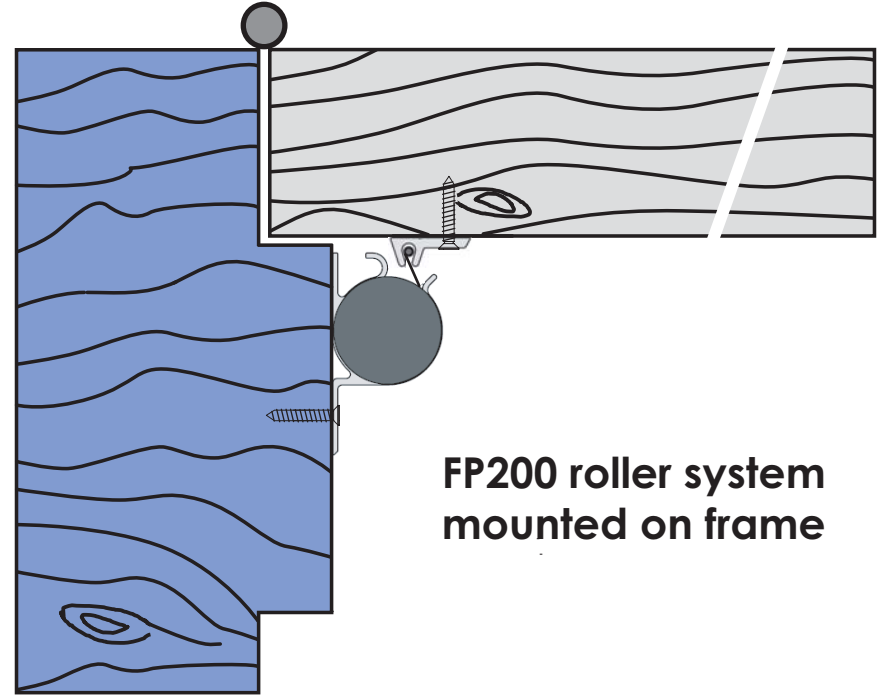


Fix with screws provided

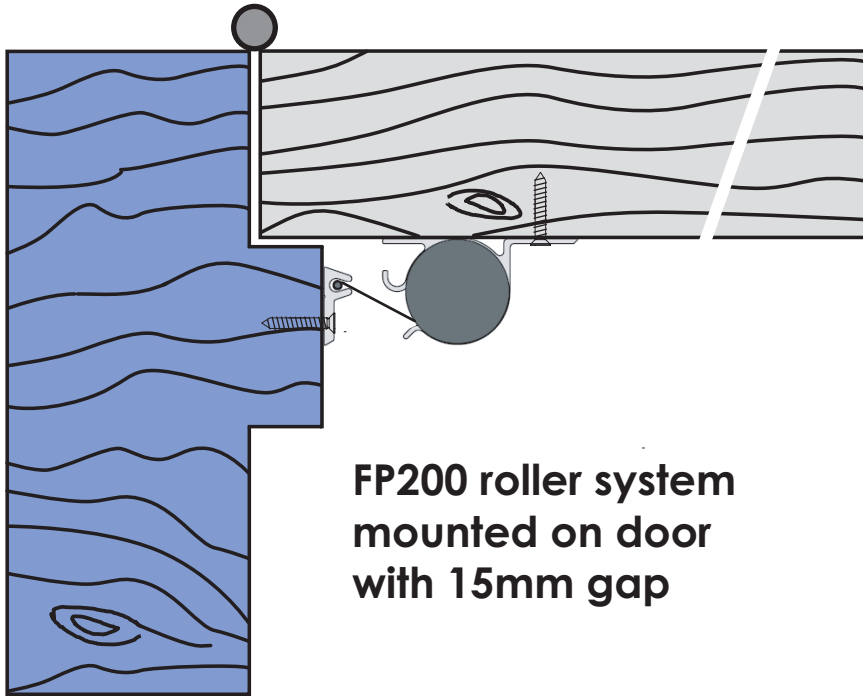
FP200 typical applications on door and frame



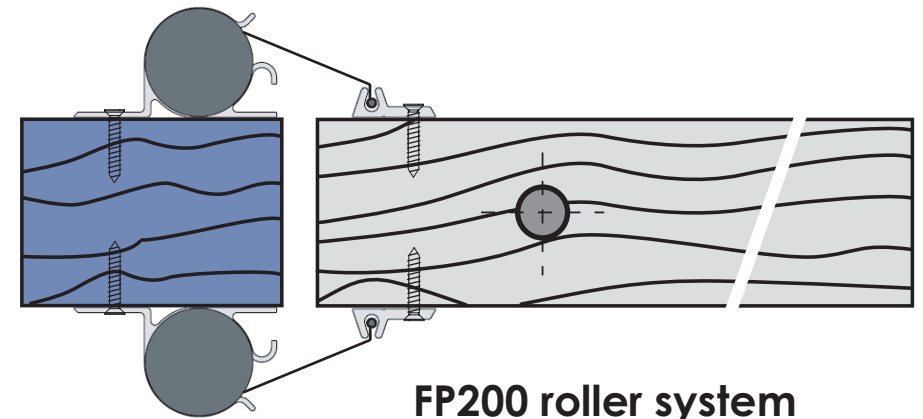
FP200 roller system mounted on frame with 20mm gap



FP200 roller system mounted on frame



FP200 roller system mounted on door with 15mm gap



FP200 roller system mounted on both sides for centre pivot doors