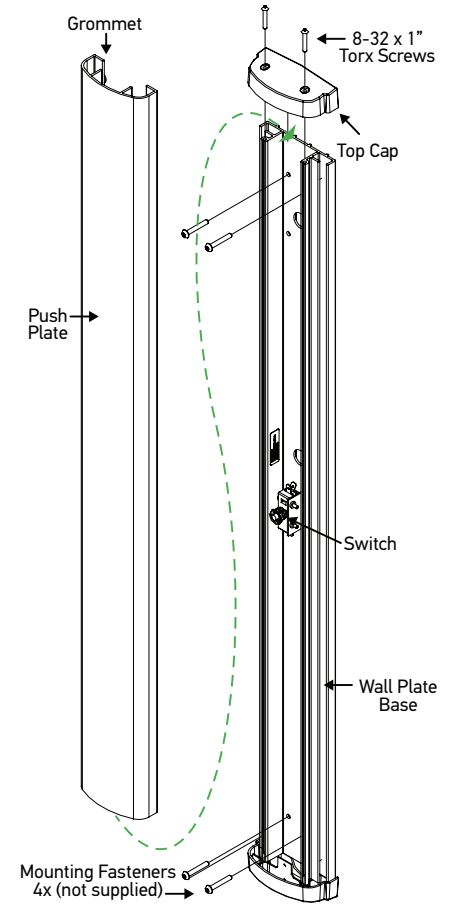
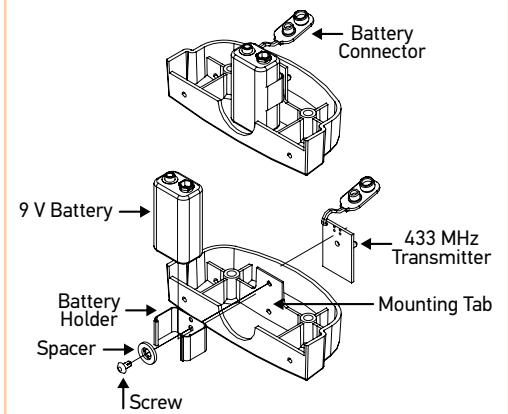


Directions

- 1 Determine wall switch mounting location based on wall construction, applicable standards and intended use. The HandiTap push plate wall switch can also be mounted on Larco's 4"x6" posts. In high use and abuse areas, a solid mounting surface or additional reinforcement may be required behind the switch.
- 2 Remove the (2) 8-32 x 1" Torx screws (using the enclosed T-15 bit) and top cap.
- 3 Slide the push plate up to remove it from the wall plate base.
- 4 Level and plumb the base plate on the wall or other vertical surface. Locate the four mounting holes and conduit hole (hardwired applications) in the wall plate. Mark and drill appropriate holes in mounting surface.
- 5 Insert appropriate fasteners through the wall plate base, into mounting surface and tighten securely.
- 6 **For hardwire applications** - Wire the wall switch to the door controller using the spade terminals to connect to the NO and COMMON contacts.
For wireless applications - Connect the wires with spade terminals from the switch (male) to the spade connectors from the transmitter (female). Attach the 9-volt battery to the transmitter battery connector.
Note: Make sure the wires are routed in the center channel of the base plate and do not interfere with the switch operation.
- 7 Before sliding the push plate back on the base unit, verify that the four rubber grommets on the back edges are secured.
- 8 Orient the push plate into channels of the wall plate and slide down. Compress spring down so that the push plate can pass over it. Continue sliding the push plate to the bottom cap. Pull the push plate up approximately 2" to reset the spring, then slide the push plate down until it rests on the bottom cap.
- 9 Replace the top cap and fasten with the (2) 8-32 x 1" Torx screws.
- 10 Test the switch for activation.



36" HandiTap Assembly



433 MHz Transmitter Assembly (optional)
mounted in Top Cap